

Tornado™ Series Long Pathlength Gas Cells



The Tornado™ series is the ideal choice for analysts requiring a fixed, long pathlength gas cell for routine applications. Based on the White cell principle of multiple light passes between an arrangement of reflecting mirrors, Tornado™ series is available in three sizes:

- **Tornado™ T5**
Pathlengths ranging from 1m to 8m in 1m steps
- **Tornado™ T10**
Pathlengths ranging from 2.1m to 10.6m in 1.06m steps
- **Tornado™ T20**
Pathlengths ranging from 2m to 20m in 2m steps

Tornado™ series gas cells are suitable for operation in all modern FT-IR spectrometers using the Specac Benchmark™ baseplate provided as standard.

Borosilicate glass body material and anodised aluminium/stainless steel internal and external components provide superior corrosion resistance against a wide range of gases and vapors. Viton® 'O' rings ensure leak-free performance under vacuum and ambient pressures. State-of-the-art optical design combined with gold mirrors ensures the highest possible light throughput giving superior analytical sensitivity.

The supreme, in-built flexibility of the Tornado™ series allows additional mirror carriages to be used in the same body shell, maximising analytical capability and minimising operational costs.

A choice of KBr or ZnSe window materials allows users to make the optimum window choice for their applications, and the transfer optics box is equipped with purge ports to allow operation under inert atmospheres. A range of optional features further enhances the flexibility of the Tornado™ range.

A low-cost range of gas cells for routine analysis at ambient conditions

The Tornado™ series of fixed, long pathlength gas cells is the latest development in low-cost, high performance cells designed for measuring the infrared spectra of gases and vapors at ambient temperatures and pressures. Manufactured from the finest materials and built to exacting tolerances, they are the ideal choice for the discerning analyst who demands superior performance and value for money.

Standard Features

- Wide pathlength range (1m - 20m)
- Vacuum to 15 p.s.i. operation
- Ambient temperature operation
- Borosilicate glass body
- Anodised components
- Gold mirrors (protected)
- Viton® 'O' ring seals
- KBr or ZnSe windows
- Purgeable transfer optics box
- Benchmark™ series baseplate mounting

Optional Features

- Additional mirror carriage assemblies
- Vacuum / gas inlet & outlet taps
- Pressure gauge
- Desiccant storage caps
- Purge bellows

Tornado™ Series - Standard Specifications

Tornado™ T5

Pathlength (fixed):	1m - 8m
Pathlength steps:	1m
Volume:	1.33 litres
Cell body material:	Borosilicate glass
Pressure range:	Vacuum to 15 p.s.i.
Temperature range:	Ambient
Mirrors:	Gold (protected)
Windows:	KBr or ZnSe
Inlet/outlet tubing:	1/4"
'O' rings:	Viton®
Internal components:	Anodised aluminium & stainless steel
Transfer optics:	Aluminium mirrors in purgeable optics box
Cell mount:	Benchmark™ series baseplate
Dimensions (mm):	H455 W153 D130



Tornado™ T10

Pathlength (fixed):	2.1m - 10.6m
Pathlength steps:	1.06m
Volume:	2.6 litres
Cell body material:	Borosilicate glass
Pressure range:	Vacuum to 15 p.s.i.
Temperature range:	Ambient
Mirrors:	Gold (protected)
Windows:	KBr or ZnSe
Inlet/outlet tubing:	1/4"
'O' rings:	Viton®
Internal components:	Anodised aluminium & stainless steel
Transfer optics:	Aluminium mirrors in purgeable optics box
Cell mount:	Benchmark™ series baseplate
Dimensions (mm):	H470 W153 D146

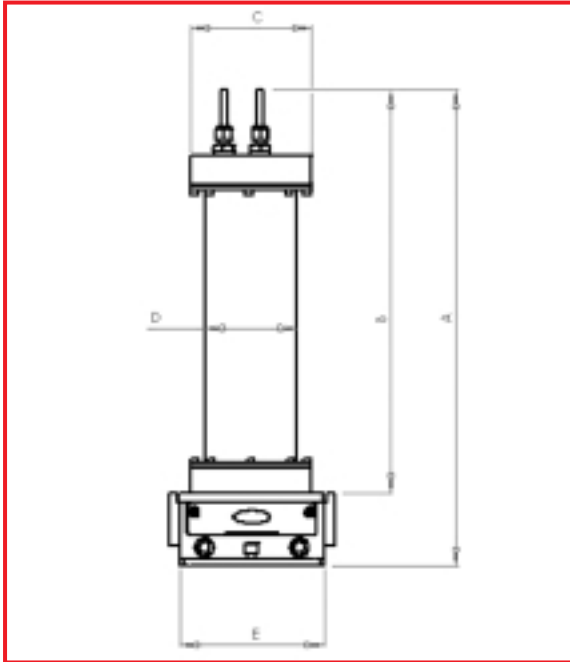


Tornado™ T20

Pathlength (fixed):	2m - 20m
Pathlength steps:	2m
Volume:	4.7 litres
Cell body material:	Borosilicate glass
Pressure range:	Vacuum to 15 p.s.i.
Temperature range:	Ambient
Mirrors:	Gold (protected)
Windows:	KBr or ZnSe
Inlet/outlet tubing:	1/4"
'O' rings:	Viton®
Internal components:	Anodised aluminium & stainless steel
Transfer optics:	Aluminium mirrors in purgeable optics box
Cell mount:	Benchmark™ series baseplate
Dimensions (mm):	H675 W153 D146



Tornado™ Series - Key Dimensions

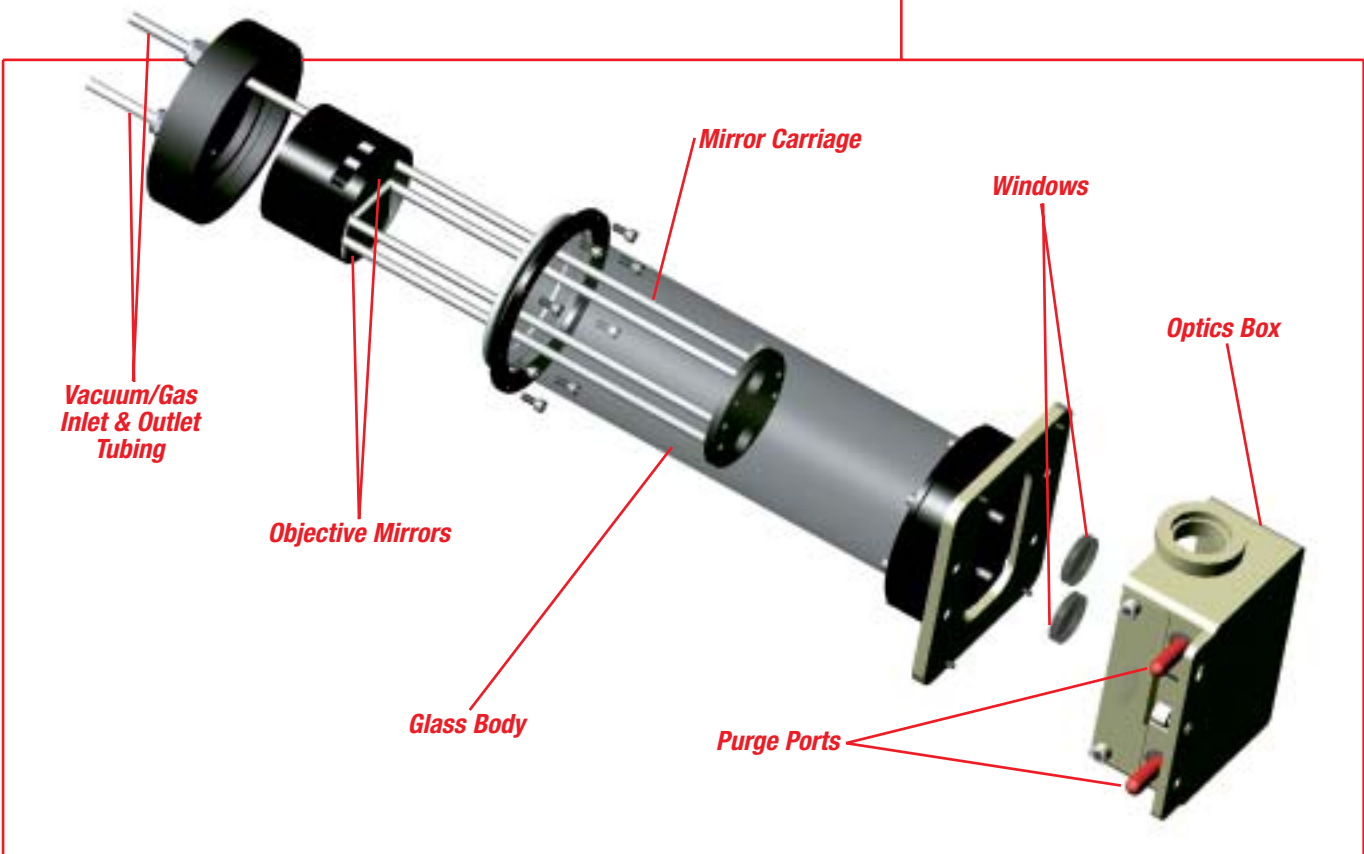


Cell	Base Pathlength	Pathlength Range	Volume
T5	25cm	1m to 8m (in 1m steps)	1.33 liters
T10	26.4cm	2.1m to 10.6m (in 1.06m steps)	2.6 liters
T20	0.5cm	2m to 20m (in 2m steps)	4.7 liters

Cell	A	B	C	D	E
T5	455	385	114	86	153
T10	470	400	143	113	153
T20	675	606	143	113	153

All dimensions in mm

Tornado™ Series - Features of The Range



Tornado™ Series Gas Cells - Optional Features

Tornado™ series long pathlength gas cells have been designed with the serious analyst in mind. These high performance, superior quality cells are backed by a range of optional upgrades to further enhance their performance.

Pressure Gauge Kit

A pressure gauge kit is available to fit the Tornado™ series gas cells. Gauges are designed for low pressure operation (vacuum to 15 p.s.i.) and an integral pressure relief valve ensures that cells are automatically depressurised in the event of accidental over pressurisation.

P/N 24160
Pressure Gauge Kit

(Specify for Tornado™ series).



Mirror Carriage Assembly

Additional mirror carriages can be specified for use within a single Tornado™ body. This feature greatly enhances the analytical flexibility of the series, and significantly reduces operating costs.

P/N 24252 Mirror Carriage Assembly

(Specify model and pathlength).



Purge Bellows

A pair of purge bellows is available for the Tornado™ series gas cells. These fit between the optics box of the cell and the spectrometer to allow the purging of transfer optics with inert gases such as nitrogen. This feature allows absorbances due to atmospheric H₂O and CO₂ to be eliminated from spectral measurements.

These bellows are designed to fit all Specac Benchmark™ sampling accessories.

P/N 10707
Purge Bellows (pair)



Desiccant Storage Caps

These caps are designed to fit over the optical inlet and outlet ports of the Tornado™ series gas cells to seal the transfer optics when the cells are not in use. One of the caps contains a desiccant material, which maintains a dry atmosphere within the transfer optics box and extends the life of KBr windows.

P/N 24150
Desiccant Storage Caps



Gas Cell Ordering Information *(Specify spectrometer make and model)*

P/N 24205	Tornado™ T5	1m - 8m Fixed Long Pathlength Gas Cell (specify pathlength and windows)
P/N 24210	Tornado™ T10	2.1m - 10.6m Fixed Long Pathlength Gas Cell (specify pathlength and windows)
P/N 24220	Tornado™ T20	2m - 20m Fixed Long Pathlength Gas Cell (specify pathlength and windows)
Pathlengths available	Tornado™ T5	1, 2, 3, 4, 5, 6, 7, 8m
	Tornado™ T10	2.1, 3.2, 4.2, 5.3, 6.3, 7.4, 8.5, 9.5, 10.6m
	Tornado™ T20	2, 4, 6, 8, 10, 12, 14, 16, 18, 20m

Options

P/N 10707	Purge Bellows (pair)
P/N 24150	Desiccant Storage Caps
P/N 24252	Mirror Carriage Assembly for Tornado™ series gas cells (specify model and pathlength)
P/N 24160	Pressure Gauge Kit to fit Tornado™ and Cyclone™ series gas cells (specify model and High or Low pressure)
P/N 24161	Vacuum / Gas Inlet & Outlet Taps with push-on connectors for Tornado™ series gas cells

Replacement Windows

P/N 24153	Replacement KBr windows for Tornado™ and Cyclone™ series gas cells (specify model)
P/N 24154	Replacement ZnSe windows for Tornado™ and Cyclone™ series gas cells (specify model)
P/N 24155	Replacement CaF ₂ windows for Tornado™ and Cyclone™ series gas cells (specify model)

smiths
A part of Smiths Group plc

Specac



SPECAC LIMITED,
River House, 97 Cray Ave, St. Mary Cray,
Orpington, Kent BR5 4HE, U.K.
Tel : +44 (0)1689 873134
Fax : +44 (0)1689 878527
Registered No. 1008689 England

SPECAC INC.,
Toll Free : +1 800 447 2558
www.specac.com

Specac is part of Smiths Group plc